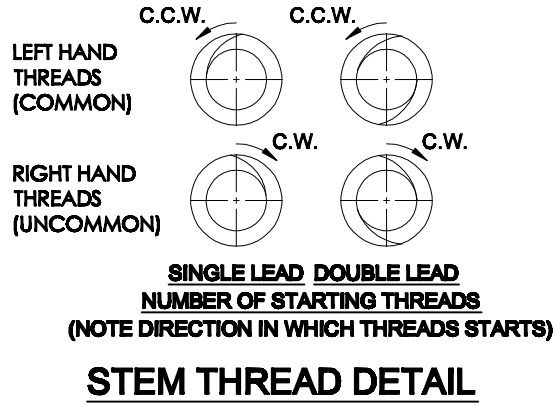
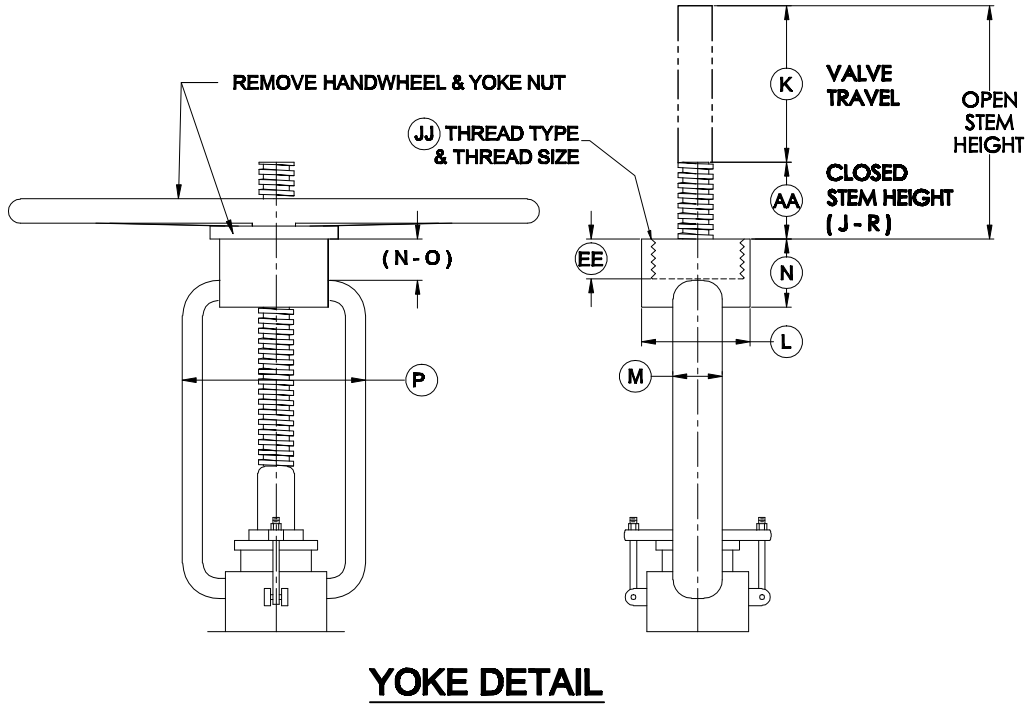
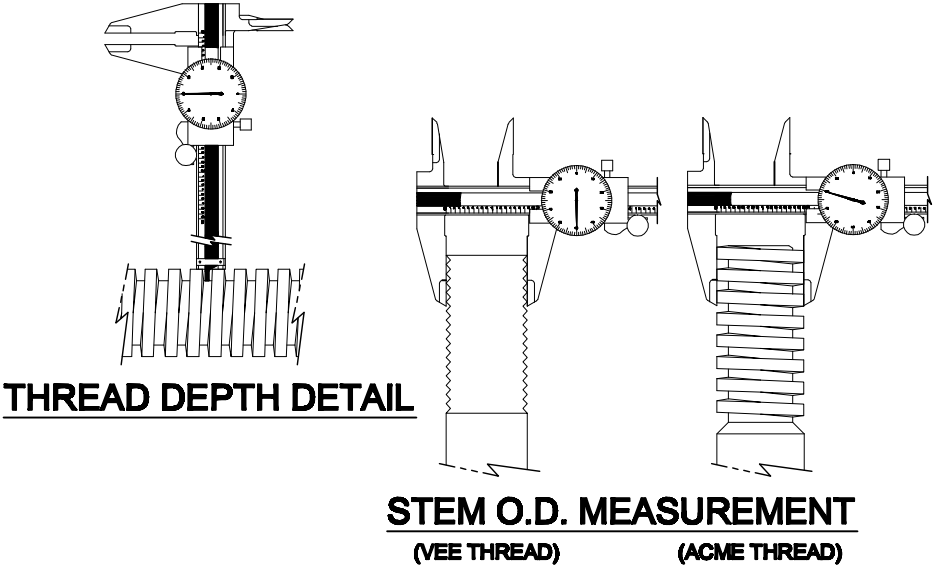
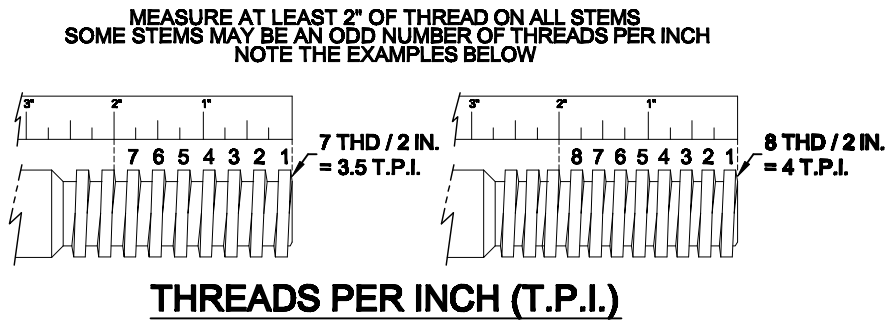
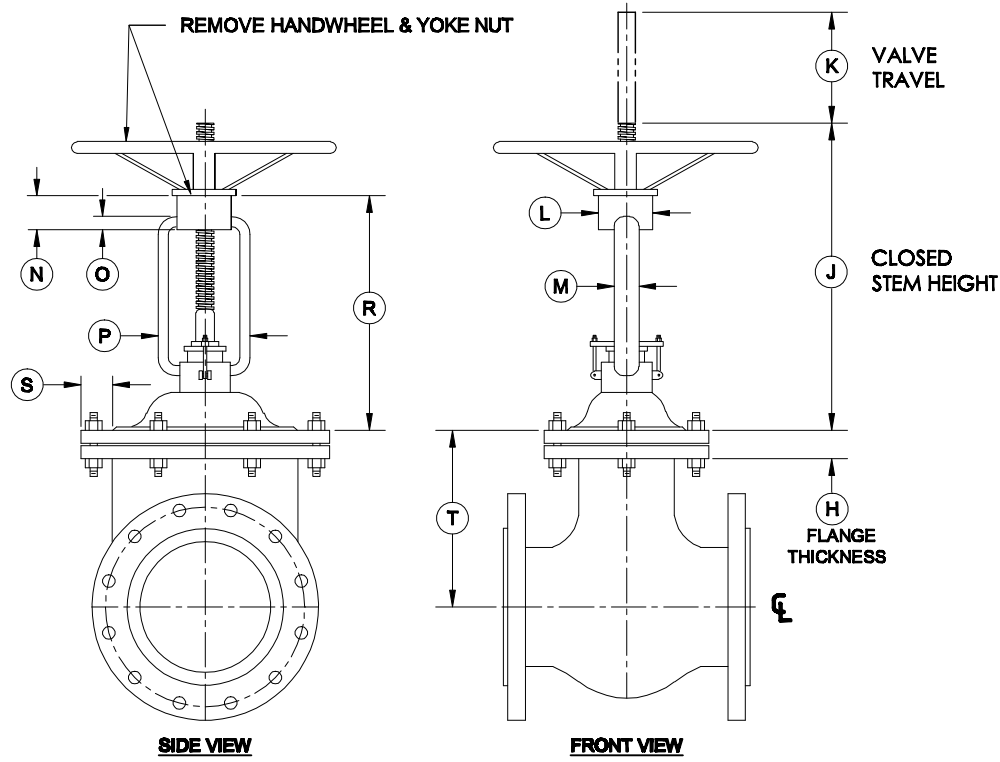


QUOTED DELIVERY IS BASED ON ACCURATE REPORT OF REQUIRED INFORMATION. ADDITIONAL BONNET DETAILS ARE REQUIRED PER DRAWING 10318.



REQUIRED INFORMATION	
VALVE TYPE	<input type="checkbox"/> GATE <input type="checkbox"/> GLOBE <input type="checkbox"/> OTHER ____
VALVE MANUFACTURER	
VALVE BORE SIZE	
DIMENSION "H"	
DIMENSION "J"	
DIMENSION "K"	
DIMENSION "L"	
DIMENSION "M"	
DIMENSION "N"	
DIMENSION "O"	
DIMENSION "P"	
DIMENSION "R"	
DIMENSION "S"	
DIMENSION "T"	
YOKE DETAIL	
DIMENSION "AA"	
DIMENSION "EE"	
DIMENSION "JJ"	
STEM THREAD DETAIL (PRECISION TO .002 INCH)	
STEM THREAD OUTSIDE DIA.	
THREAD DEPTH	
NUMBER OF THREADS PER INCH	
LEAD	<input type="checkbox"/> SINGLE <input type="checkbox"/> DOUBLE <input type="checkbox"/> OTHER ____
LEFT OR RIGHT HAND	<input type="checkbox"/> LEFT <input type="checkbox"/> RIGHT
THREAD TYPE	<input type="checkbox"/> Vee <input type="checkbox"/> ACME <input type="checkbox"/> OTHER ____

*JJ" EXAMPLE: 2.75-12UN

ATI AUTOMATION TECHNOLOGY
www.atactuator.com

THIRD ANGLE PROJECTION
UNLESS OTHERWISE SPECIFIED
DIMENSIONS ARE IN INCHES
BREAK SHARP EDGES AT .03 MAX
DRILL DEPTHS ARE TO POINT

TOLERANCE
X (OR FRACTION) ±.125
XX ±.062
ANGULAR ±1.0°
⊥ // ±.010

REV	DATE	DESCRIPTION	DWG	CHK	APP	SIZE:
B	3/23/15	MERGE W/10318B & 10318C	DPL	DAR	DPL	
A	5/21/03	INITIAL RELEASE	WSM	SMM	SMM	

VALVE DIMENSIONAL DATA SHEET
GATE & GLOBE VALVES

THIS DRAWING IS THE PROPERTY OF ATI. NO PART OF THIS DATA MAYBE USED WITHOUT EXPRESSED PERMISSION OF ATI.

SCALE: NTS SHEET: 1 OF 1 DWG: 10319