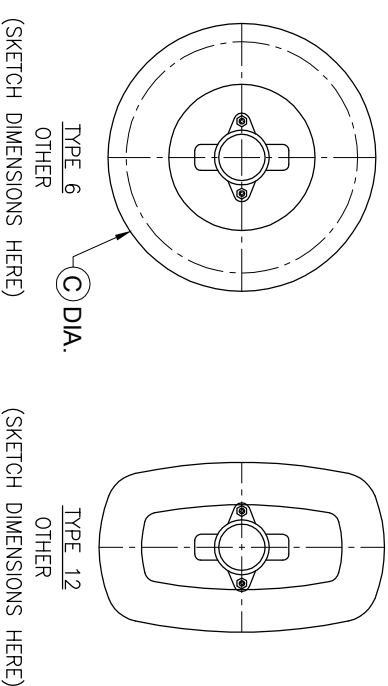
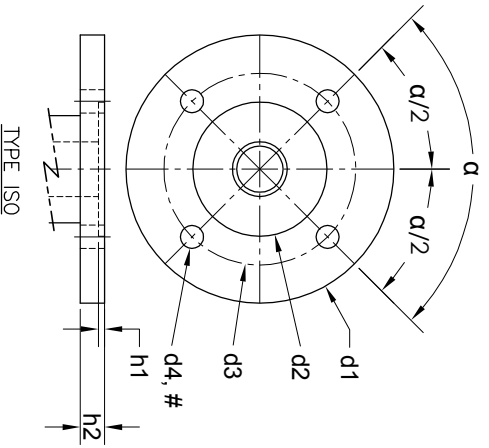
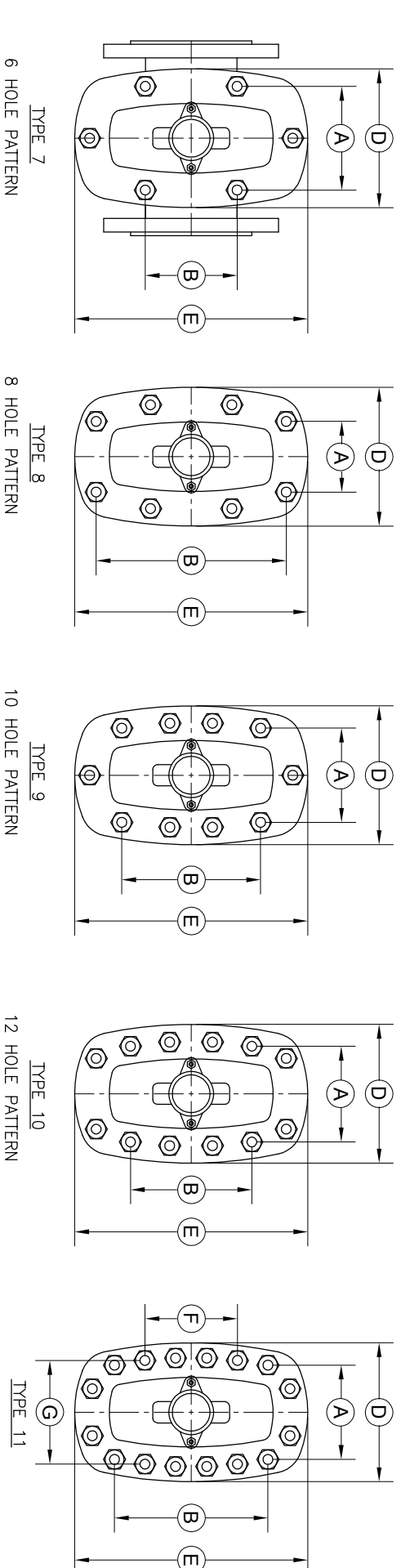
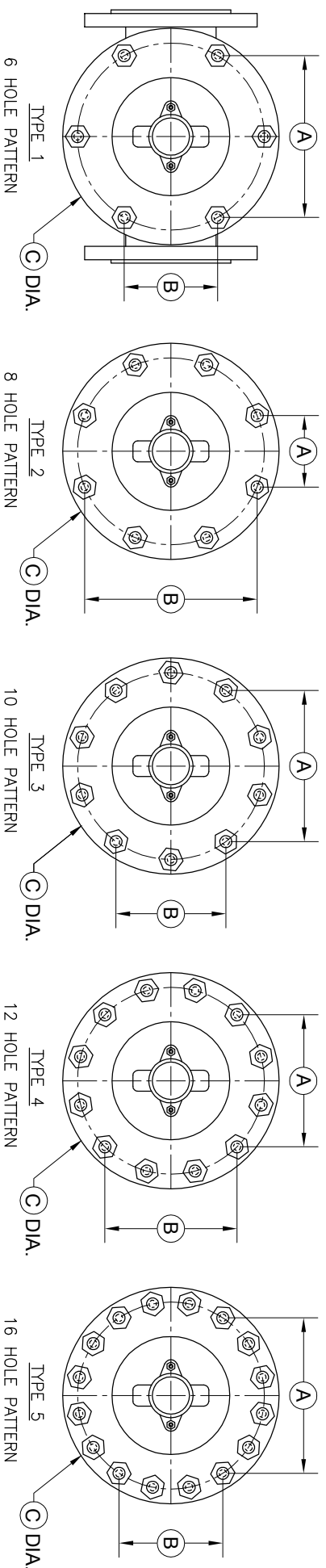


**QUOTED DELIVERY IS BASED ON ACCURATE REPORT OF REQUIRED INFORMATION.**  
 ADDITIONAL STEM AND YOKE DETAILS ARE REQUIRED PER DRAWING 10319.



**REQUIRED INFORMATION**

VALVE TYPE	<input type="checkbox"/> GATE <input type="checkbox"/> GLOBE <input type="checkbox"/> OTHER _____
VALVE MANUFACTURER	
VALVE BORE SIZE	
VALVE PRESSURE CLASS	
VALVE MODEL NUMBER	
BONNET BOLT PATTERN TYPE	

DIMENSION "A"	
DIMENSION "B"	
DIMENSION "C"	
DIMENSION "D"	
DIMENSION "E"	
DIMENSION "F"	
DIMENSION "G"	

BONNET BOLT DETAILS	
NUMBER OF STUDS	
THREAD DIAMETER	
THREAD PITCH (THD. PER INCH)	
BOLT CIRCLE DIAMETER	
RELATIVE TO VALVE CENTERLINE	<input type="checkbox"/> STRADDLE <input type="checkbox"/> ON CENTER
STUD MATERIAL	

ISO FLANGE	
ISO 521 1 FLANGE TYPE (F03-F60)	
d1, FLANGE O.D.	
d2, ALIGNMENT C'BORE I.D.	
h1, ALIGNMENT C'BORE DEPTH	
h2, FLANGE THICKNESS	
d3, BOLT CIRCLE DIAMETER	
d4, HOLE DIAMETER	
#, NUMBER OF HOLES	
alpha, ANGLE BETWEEN HOLES	_____ ° <input type="checkbox"/> STRADDLE <input type="checkbox"/> ON CENTER
REQUIREMENTS FOR FLANGE BOLTS (i.e. STUDS, METRIC)?	

**THIRD ANGLE PROJECTION**

UNLESS OTHERWISE SPECIFIED DIMENSIONS ARE IN INCHES BREAK SHARP EDGES AT .03 MAX DRILL DEPTHS ARE TO POINT

**TOLERANCE**

X (OR FRACTION) .125  
 .XX .002  
 ANGULAR 1/16"  
 L // ±.010

REV	DATE	DESCRIPTION	DWG	CHK	APP
C	6/9/17	BONNET BOLT MAIL	DAR	DAR	WCT
B	3/23/15	CLERICAL REVS. ADD 'TYPE ISO'	DPL	DAR	DPL
A	03/09/16	INITIAL RELEASE 10318A	SMM	SMM	SMM



**AUTOMATION TECHNOLOGY**

www.atiactors.com

THIS DRAWING IS THE PROPERTY OF ATI. NO PART OF THIS DATA MAY BE USED WITHOUT EXPRESSED PERMISSION OF ATI.

**VALVE DIMENSIONAL DATA SHEET**  
**BONNET BOLTING FOR ACTUATOR SUPPORT**

SIZE: B SCALE: NTS SHEET: 1 OF 1 DWG: 10318