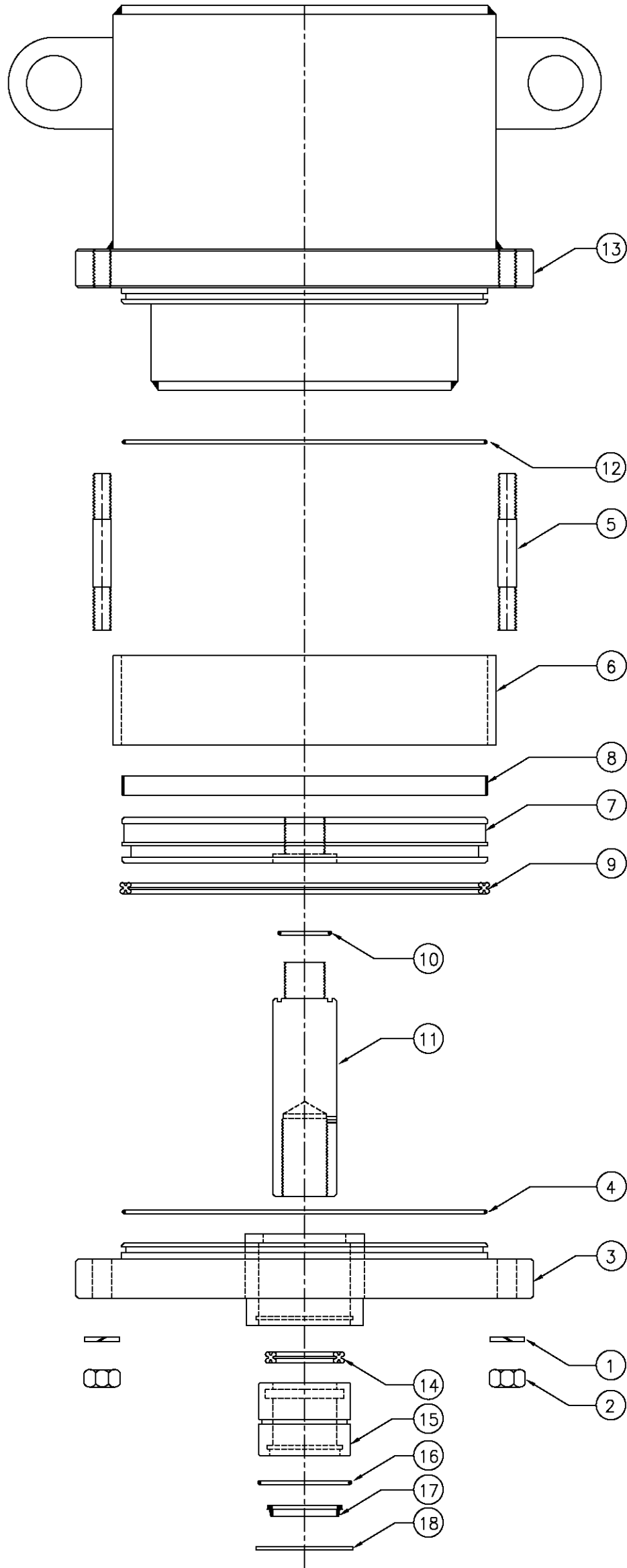


THIS DRAWING IS PROPERTY OF ATI. NO PART OF THIS DATA MAY BE USED WITHOUT EXPRESSED PERMISSION OF AUTOMATION TECHNOLOGY, INC.



AUTOMATION TECHNOLOGY, INC.
 "INDUSTRY'S AUTOMATION SPECIALIST"
 P.O. BOX 310, INDUSTRY TEXAS, 78944, (979)357-2570

SHOP NOTES:
 ● : ±.005, < : ±.1"
 BREAK SHARP EDGES 0.0625" R
 DRILL DEPTHS ARE TO DRILL POINT
 ALL SURFACES TO FINISH
 UNLESS OTHERWISE SPECIFIED.

ASSEMBLY DRAWING
 "HDL" SERIES (SRE) ACTUATOR

DWG.#
 6042

A	03/30/00	INITIAL DRAWING	
REV.	REV. DATE	DESCRIPTION	
MODEL:	HDL	ENG. BY: C.W.	APPR. BY: S.M.M.
DATE:	03/30/00	DWN. BY: C.W.	SCALE: NTS