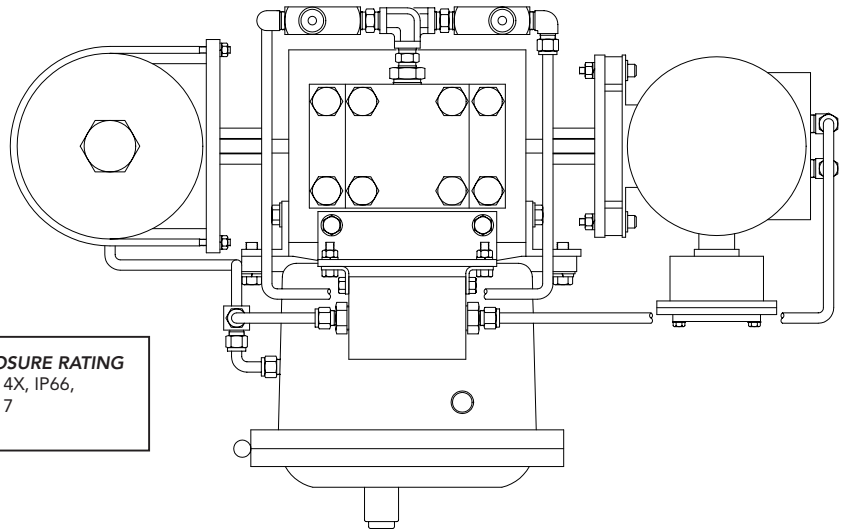
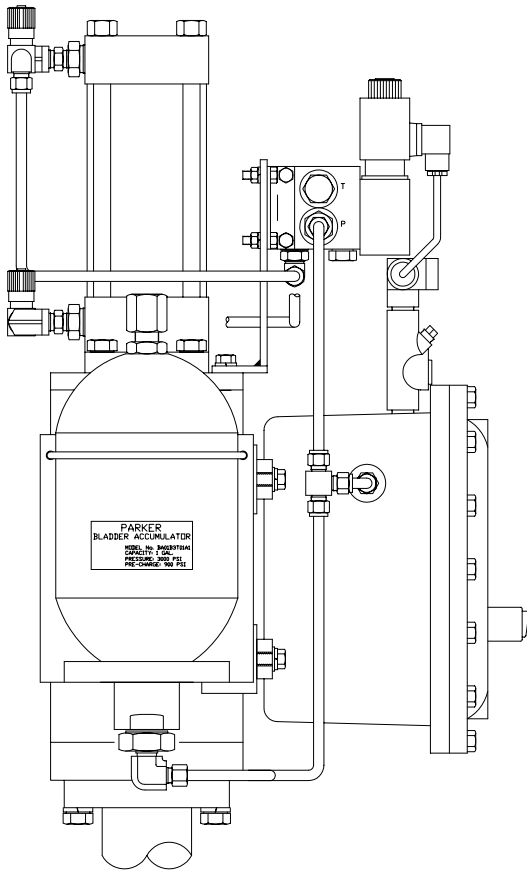


# HYDRAULIC POWER UNIT

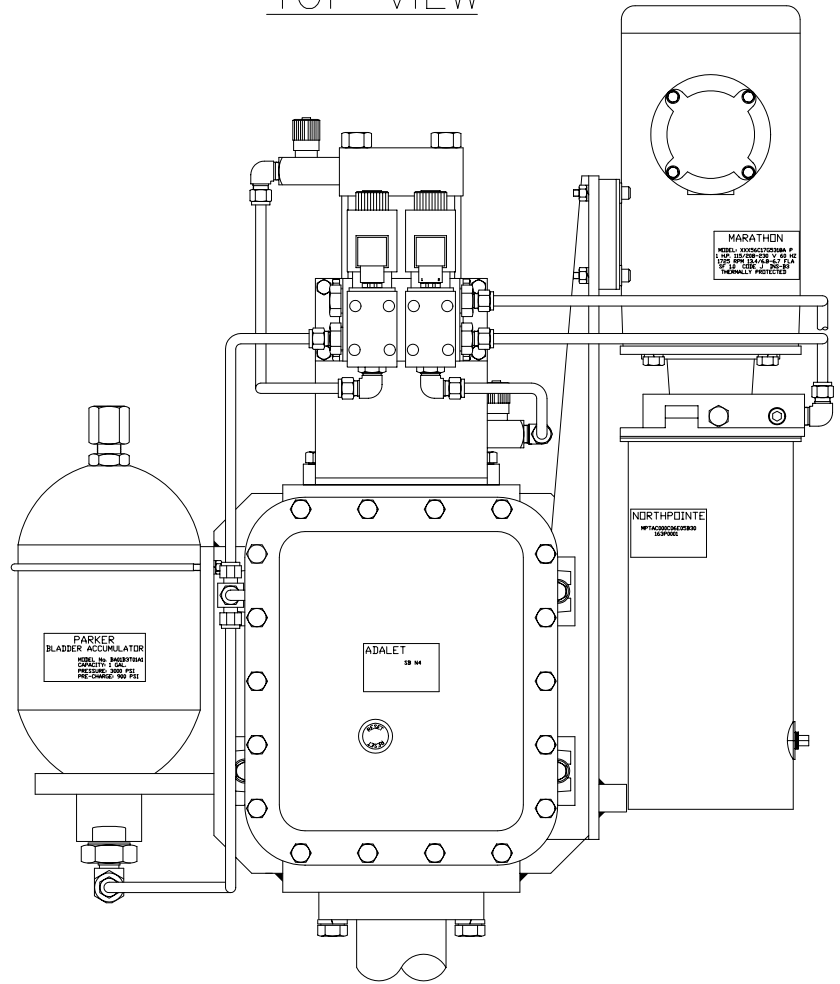


TOP VIEW

<b>CERTIFICATE</b> FM, ATEX, UL, CSA	<b>CERTIFICATION OBTAINED</b> Class I, Division 1 & 2 Group A,B,C,D,E, F,G, EEx ia IIC T5/T6 - Intrinsic Safety, EEx d IIB+H2 T5/T6 - Flameproof	<b>ENCLOSURE RATING</b> NEMA 4X, IP66, NEMA 7
---	---	---



SIDE VIEW



FRONT VIEW