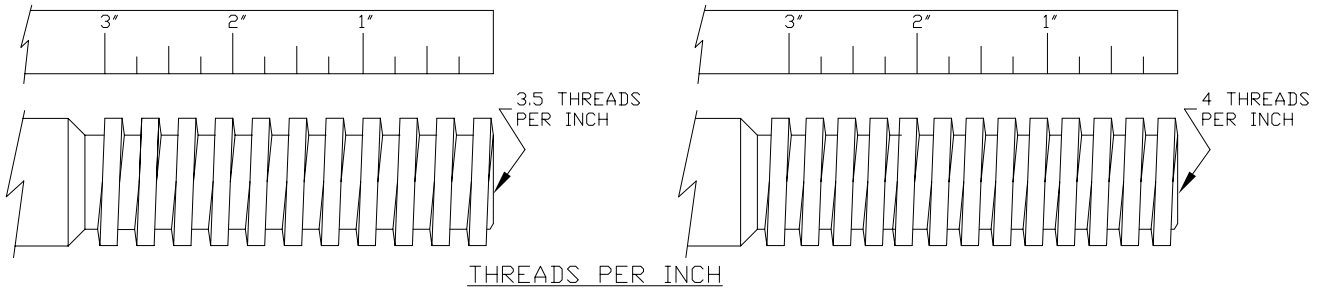
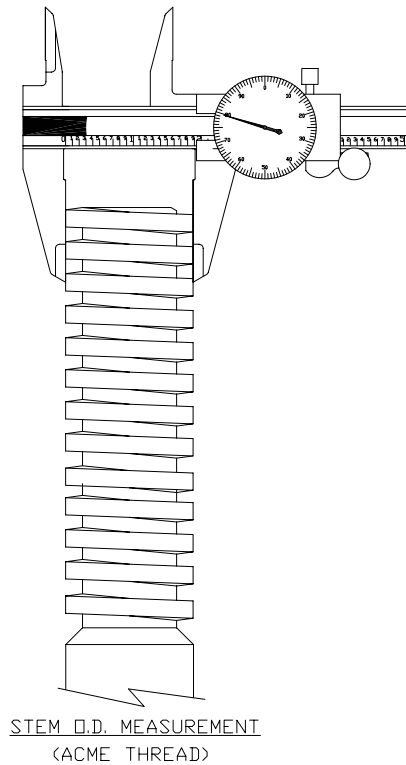
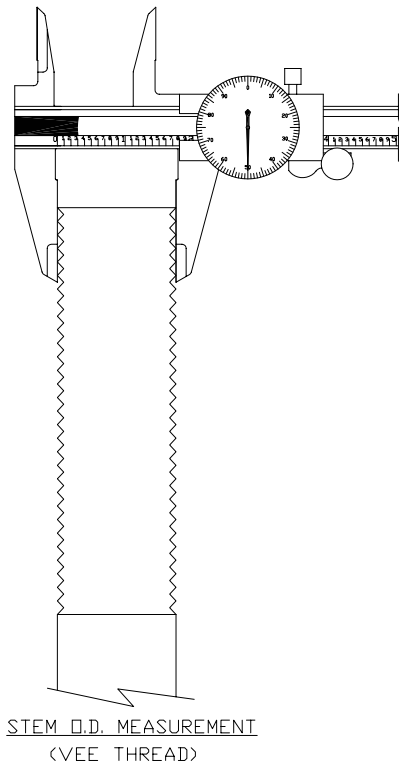
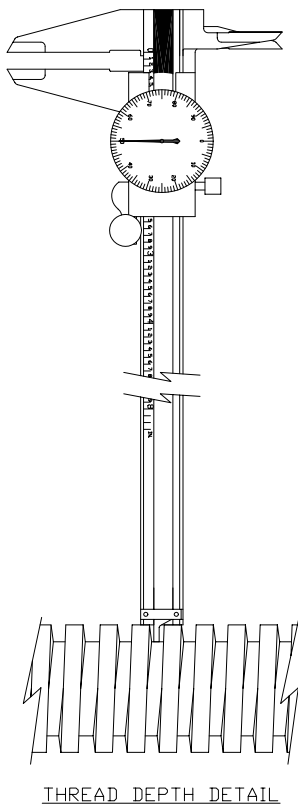
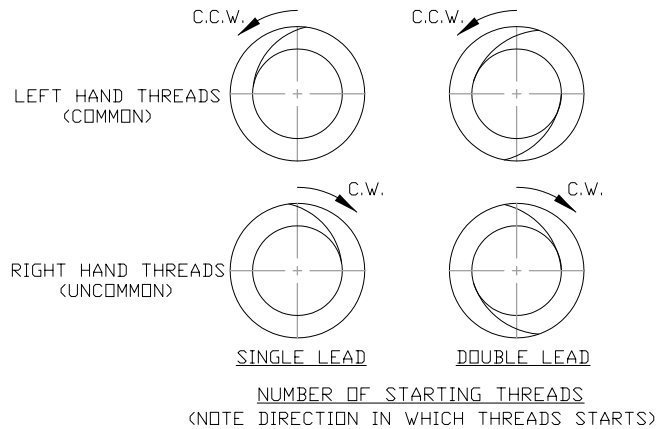


MEASURE AT LEAST 2" OF THREAD ON ALL STEMS  
SOME STEMS MAY BE AN ODD NUMBER OF THREADS PER INCH  
NOTE THE EXAMPLES BELOW



MIKE STEM THREAD O.D. \_\_\_\_\_  
 THREAD DEPTH \_\_\_\_\_  
 NO. OF THDS. PER INCH \_\_\_\_\_  
 SINGLE LEAD \_\_\_\_\_ OR DOUBLE LEAD \_\_\_\_\_  
 LEFT HAND \_\_\_\_\_ OR RIGHT HAND \_\_\_\_\_  
 TYPE OF THREAD:  
 ACME \_\_\_\_\_  
 "V" \_\_\_\_\_ OTHER \_\_\_\_\_

NOTE: DIMENSIONS SHOULD BE TO THREE (3) DECIMAL PLACES.



THIS DRAWING IS PROPERTY OF ATI. NO PART OF THIS DATA MAY BE USED WITHOUT EXPRESSED PERMISSION OF AUTOMATION TECHNOLOGY, INC.