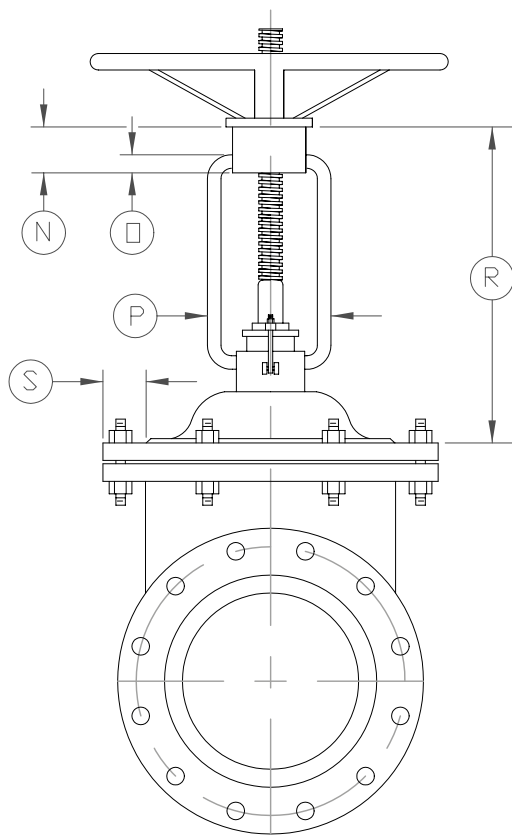
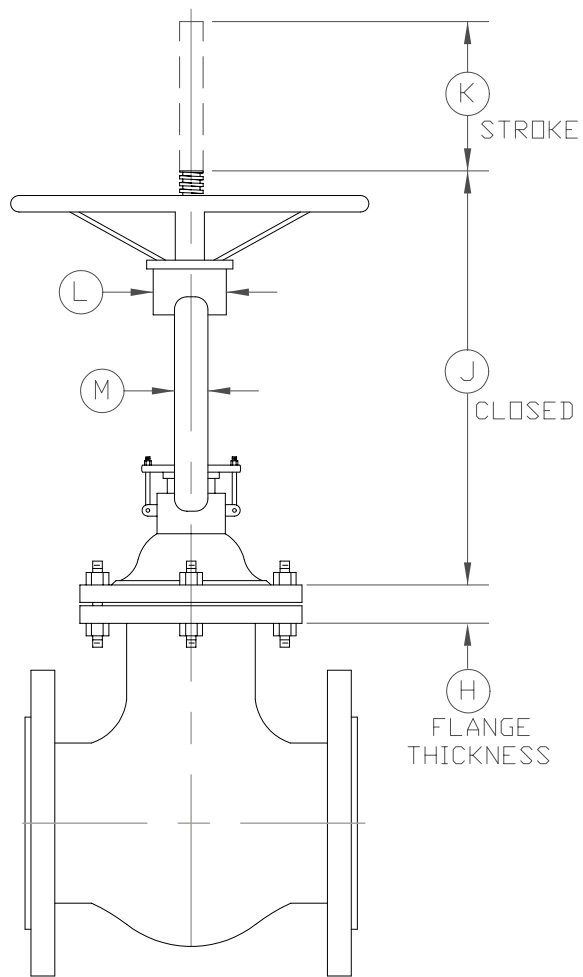


TYPICAL GATE/GLOBE VALVE (BOLTED BONNET)



SIDE VIEW



FRONT VIEW

VALVE TYPE GATE GLOBE
 MANUFACTURER _____
 SIZE _____
 H _____
 J _____
 K _____
 L _____
 M _____
 N _____
 Q _____
 P _____
 R _____
 S _____

THIS DRAWING IS PROPERTY OF ATI. NO PART OF THIS DATA MAY BE USED WITHOUT EXPRESSED PERMISSION OF AUTOMATION TECHNOLOGY, INC.