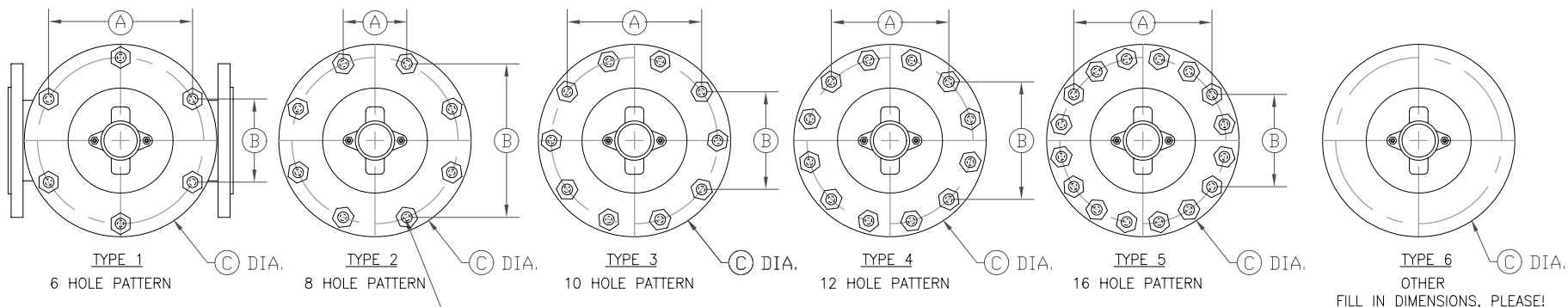


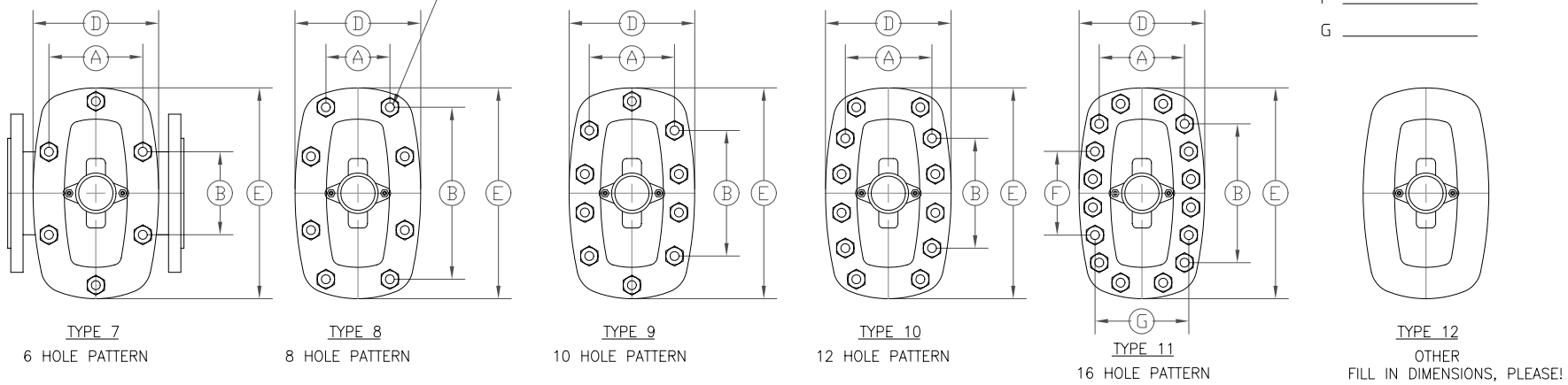
TYPICAL GATE/GLOBE VALVE (BOLTED BONNET)



NOTE: PLEASE FILL OUT ALL 3 SHEETS COMPLETELY AND RETURN.

BOLT DIA.: _____
 T.P.I.: _____ <THREADS PER INCH>
 NO.: _____ <# OF BOLTS>
 B.C. DIA.: _____ <BOLT CIRCLE DIAMETER>
 CN: _____ STRADDLE _____ PIPE CL.
 <TYPE 1 OR TYPE 2>

VALVE TYPE _____ GATE _____ GLOBE
 MANUFACTURER _____
 SIZE _____
 PRESSURE _____
 MODEL NO. _____
 A _____ TYPE _____
 B _____
 C _____
 D _____
 E _____
 F _____
 G _____



THIS DRAWING IS PROPERTY OF ATI. NO PART OF THIS DATA MAY BE USED WITHOUT EXPRESSED PERMISSION OF AUTOMATION TECHNOLOGY, INC.