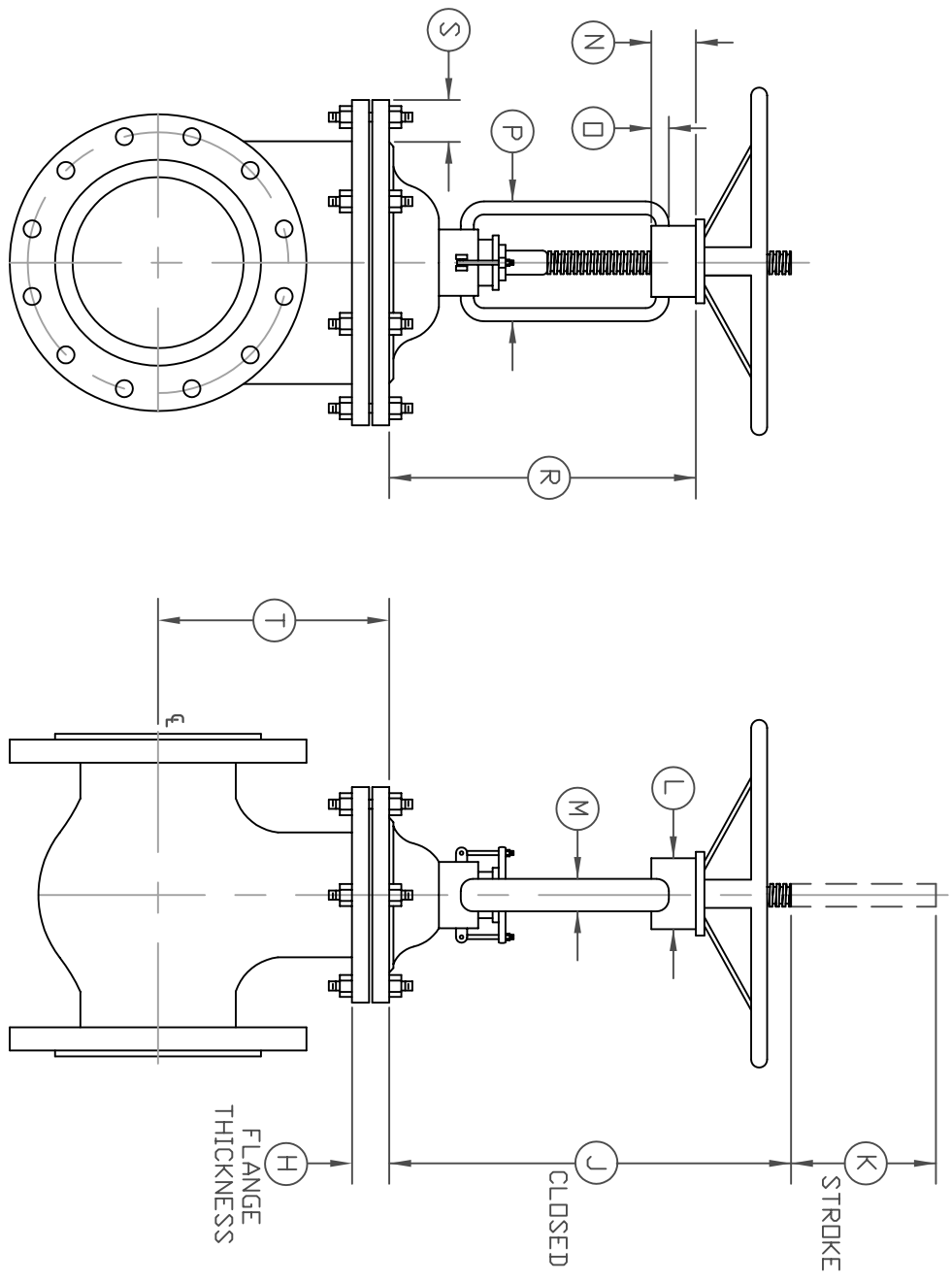


TYPICAL GATE/GLOBE VALVE
(BOLTED BONNET)

VALVE TYPE GATE GLOBE
MANUFACTURER



- SIZE
- H
- J
- K
- L
- M
- N
- D
- P
- R
- S
- T

SIDE VIEW

FRONT VIEW

ATI
AUTOMATION TECHNOLOGY, INC.
INDUSTRY'S AUTOMATION SPECIALIST™
P.O. BOX 310, INDUSTRY TEXAS, 78944, (979)357-2370

SHOP NOTES:
Q : ±.005
Z : ±.1
BREAK SHARP EDGES, OBLIQUE
ALL SURFACES TO FINISH
UNLESS OTHERWISE SPECIFIED.

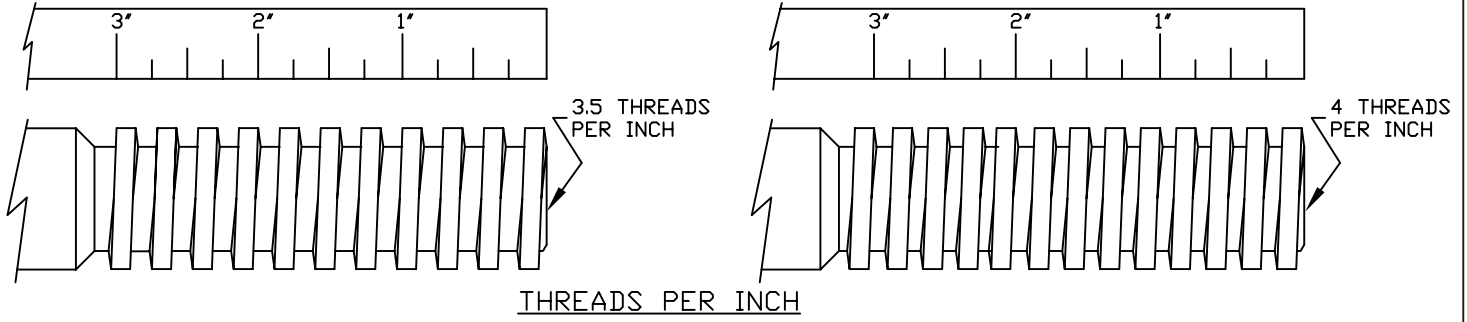
VALVE DIMENSIONAL DATA SHEET
GATE/GLOBE VALVE

DWG. NO. 10318B

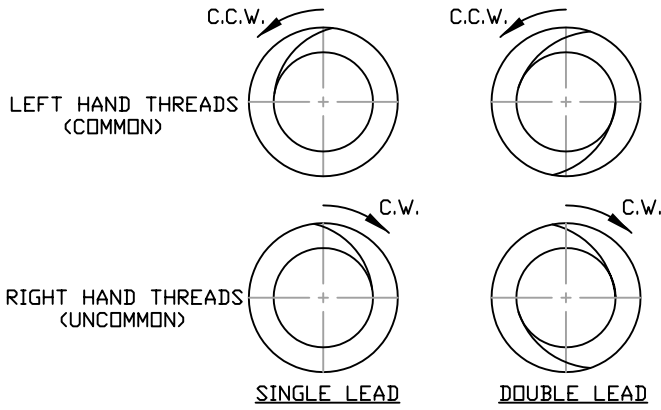
REV	REV DATE	DESCRIPTION
B	7/31/08	ADDED DIMENSION (7)
A	5/21/03	INITIAL DRAWING
MODEL:	ATI	ENG. BY: S.M.M. APPR. BY: S.M.M.
DATE:	5/21/03	DWNL. BY: S.M.M. SCALE: NTS

THIS DRAWING IS PROPERTY OF ATI. NO PART OF THIS DATA MAY BE USED WITHOUT EXPRESSED PERMISSION OF AUTOMATION TECHNOLOGY, INC.

MEASURE AT LEAST 2" OF THREAD ON ALL STEMS
 SOME STEMS MAY BE AN ODD NUMBER OF THREADS PER INCH
 NOTE THE EXAMPLES BELOW



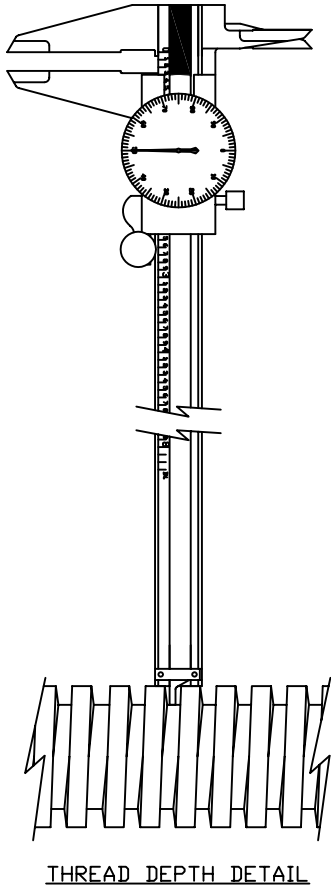
THREADS PER INCH



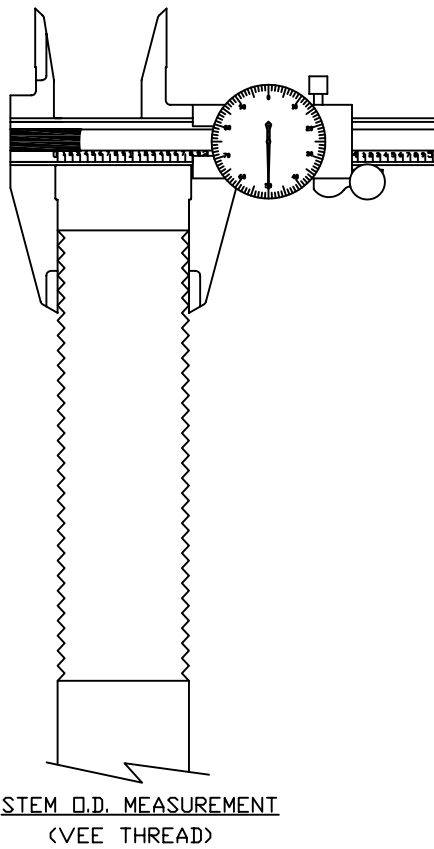
MIKE STEM THREAD O.D. _____
 THREAD DEPTH _____
 NO. OF THDS. PER INCH _____
 SINGLE LEAD _____ OR DOUBLE LEAD _____
 LEFT HAND _____ OR RIGHT HAND _____
 TYPE OF THREAD:
 ACME _____
 "V" _____ OTHER _____

NOTE: DIMENSIONS SHOULD BE TO THREE (3) DECIMAL PLACES.

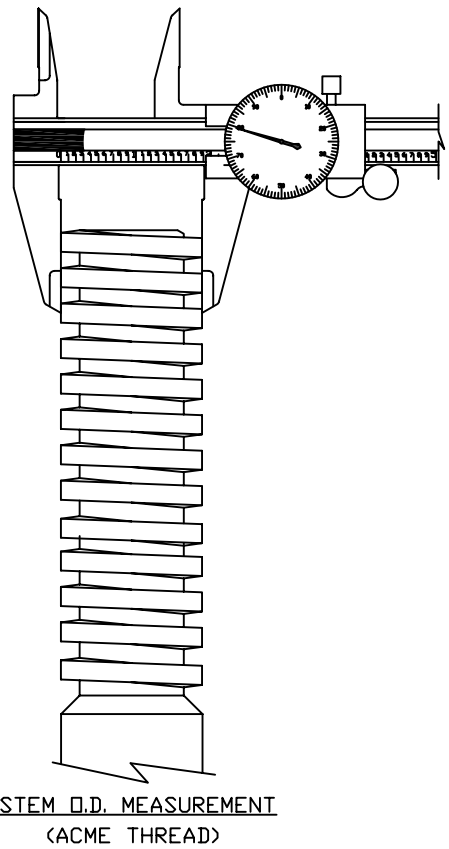
NUMBER OF STARTING THREADS
 (NOTE DIRECTION IN WHICH THREADS STARTS)



THREAD DEPTH DETAIL



STEM O.D. MEASUREMENT
 (VEE THREAD)



STEM O.D. MEASUREMENT
 (ACME THREAD)